

Ibanez Mono-Tune bridge

A: Intonation adjustment screw

B: Saddle height adjustment screw (1.5mm hex key wrench)

C: Tuning knob

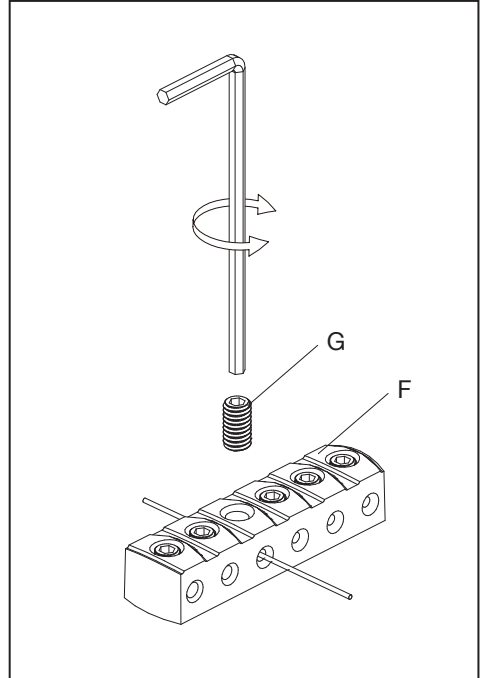
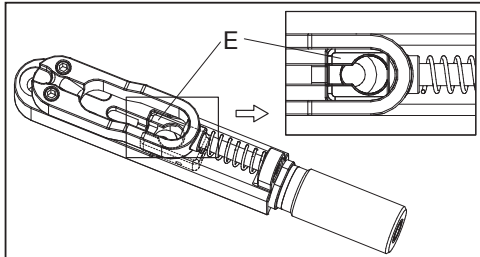
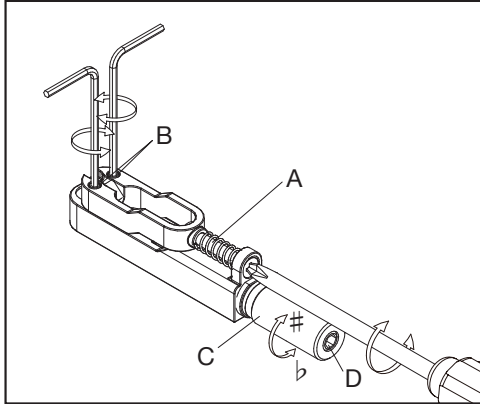
D: Tuning knob cap

*When tuning, turn only C with your fingers. D is not for tuning.

E: Ball end holder

F: String lock

G: String locking screw (2.0mm hex key wrench)



STRING REPLACEMENT

- ① Turn the tuning knob(C) counter clockwise until the ball end holder(E) appears.
- ② Insert the ball end into the ball end holder(E).
- ③ Thread the string through the string lock(F) and pull it tightly.
- ④ Tighten the string locking screw(G) using the hex-wrench included.
- ⑤ Turn the tuning knob(C) clockwise to tune the string.



Notes

Avoid overtightening tuning knob to prevent damaging the screw.