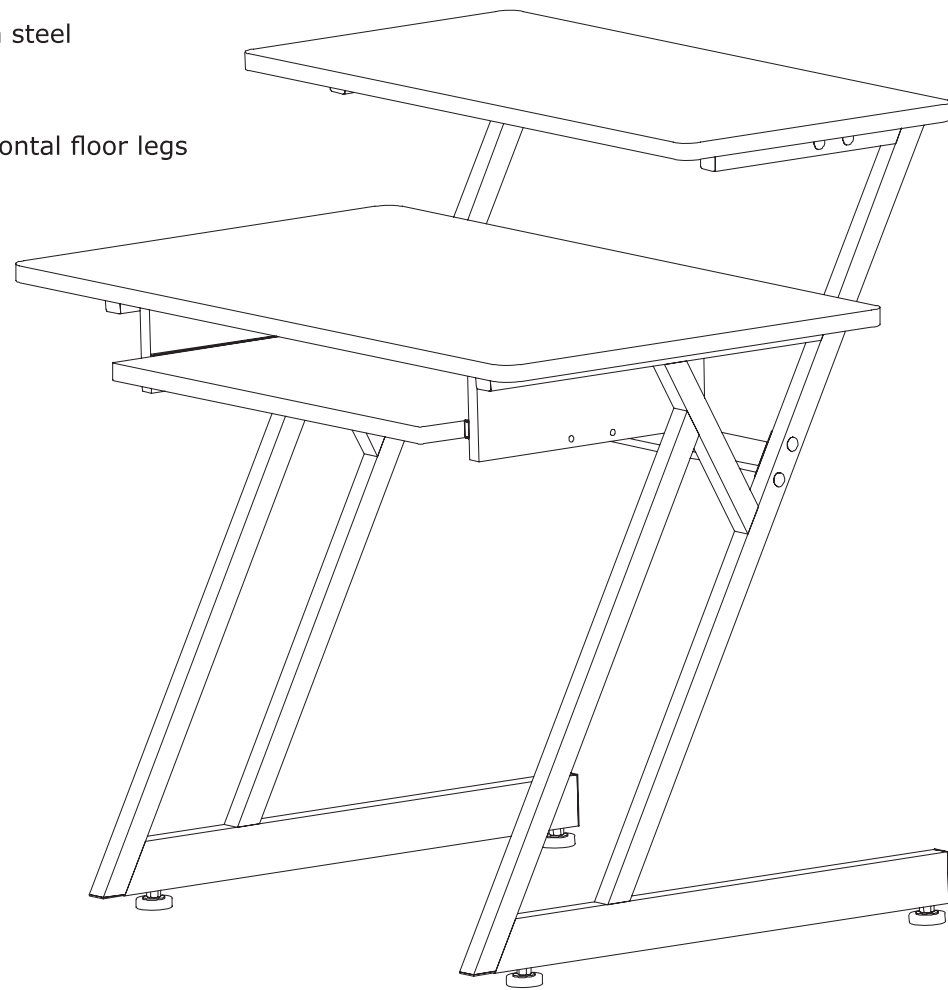


**WS7500
PROFESSIONAL
WORKSTATION**

Product Specifications

- Perfect for the home studio
- Ergonomic Z-frame constructed from steel
- Laminate surfaces
- Slide-out keyboard tray
- Steel Tubing: 1" x 1"; 1" x 2" on horizontal floor legs
- Weight Capacity: 175 lbs.
- Keyboard Tray Height: 25"
- Platform Height: 29"
- Top Platform Height: 37½"
- Dimensions: 43"(w) x 30"(d)



REGISTER ONLINE. HERE'S WHY:

Lightning Fast Service - Get the fastest turn around in the unlikely event of a warranty claim.

Product Notifications - We can contact you directly with product notifications and safety information.

Better Products - Your registration helps us to improve our products and develop new ones.

Questions or Concerns?

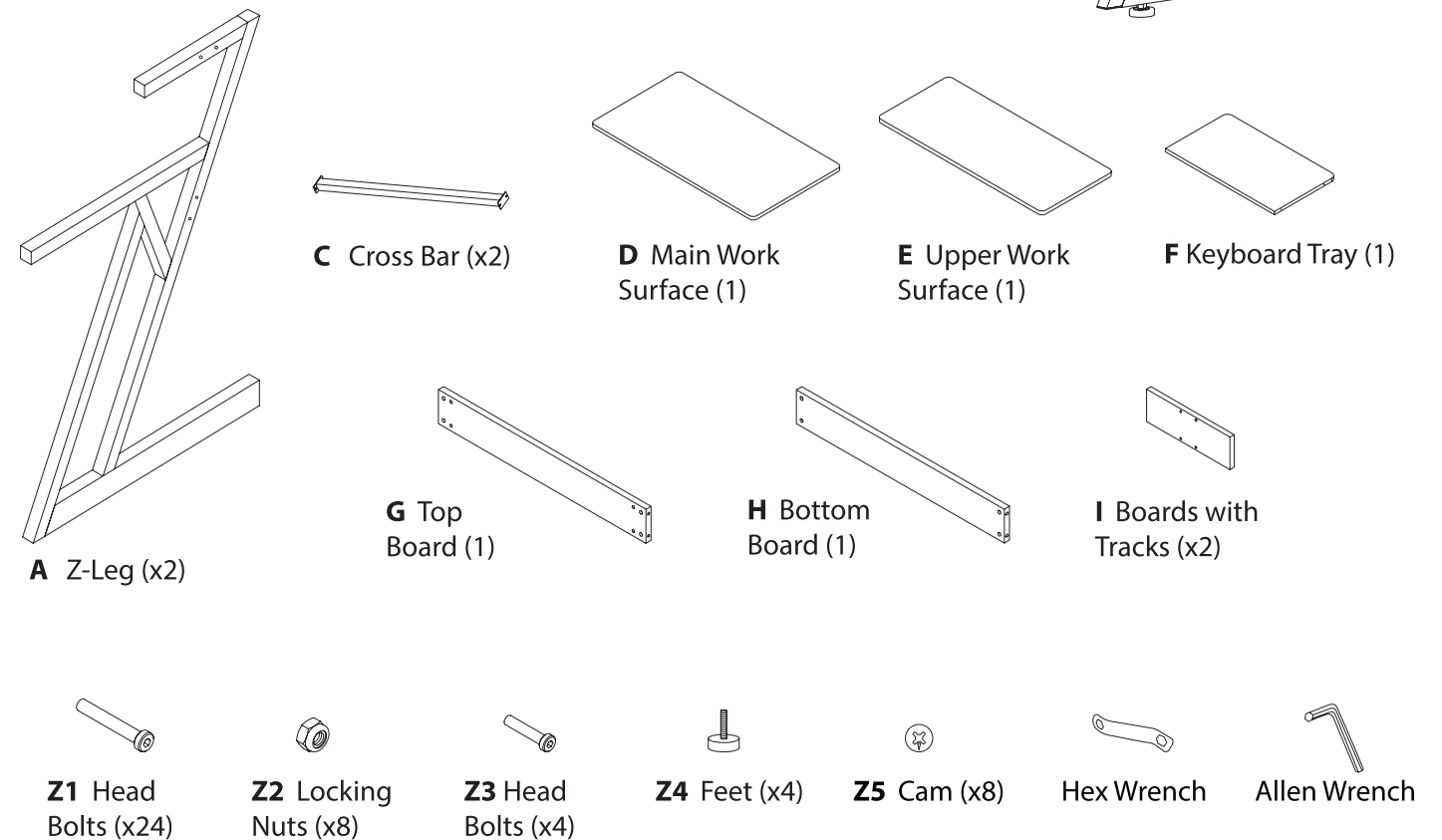
Contact the Customer Service Department at cs@MusicPeopleInc.com or call us at (800) 289-8889.

**WS7500
PROFESSIONAL
WORKSTATION**

Congratulations on your purchase of the WS7500 Professional Workstation! Please read the following instructions carefully. *We hope you enjoy your new purchase.*



Components:

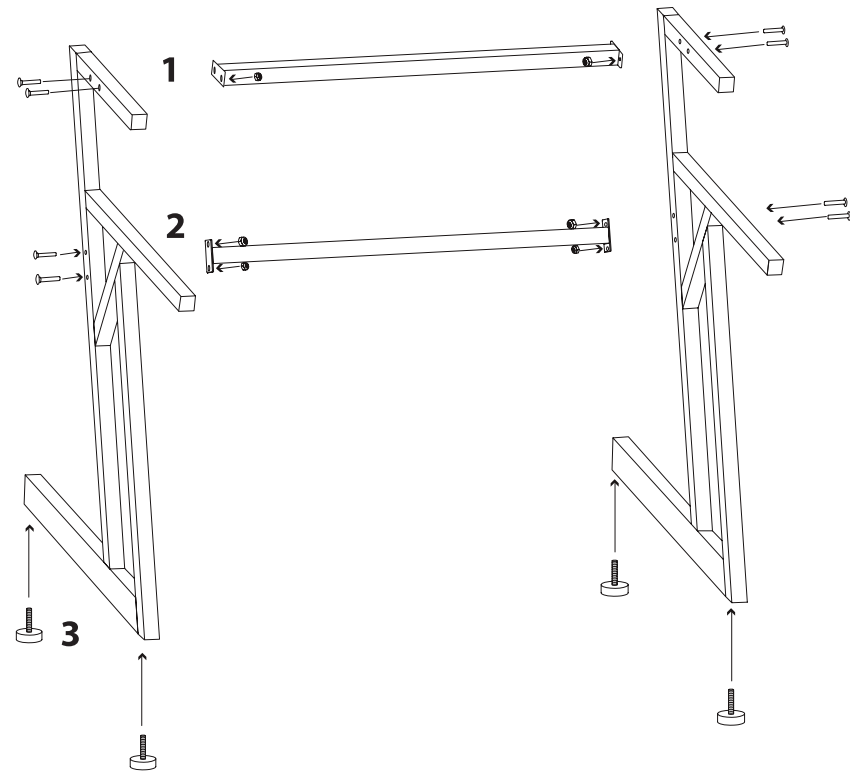


CAUTION
FAILURE TO OBSERVE PROPER ASSEMBLY INSTRUCTIONS, EXCEEDING THE WEIGHT CAPACITY OR FAILURE TO OBSERVE THE WARNINGS AS MENTIONED IN THIS INSERT MAY CAUSE STAND TO COLLAPSE, BODILY INJURY OR EQUIPMENT DAMAGE AND WILL VOID THE PRODUCT WARRANTY.

Assembly Instructions

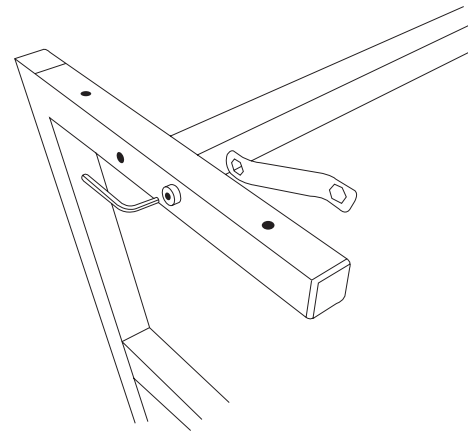
BEFORE YOU BEGIN: Remove all contents from the box and identify the parts using these diagrams.

Visit On-Stage for the most recently-updated instructions.



1. Connect the two Z-Legs (A) by installing one Cross Bar (C) in the upper two holes using Head Bolts (Z1), and Locking Nuts (Z2).

Tip: To tighten the Locking Nuts (Z2) and Bolts (Z1), use the Allen Wrench and Hex Wrench as illustrated below. The Hex Wrench serves to hold the Nut (Z2) in place while turning the Bolt (Z1) with the Allen Wrench.

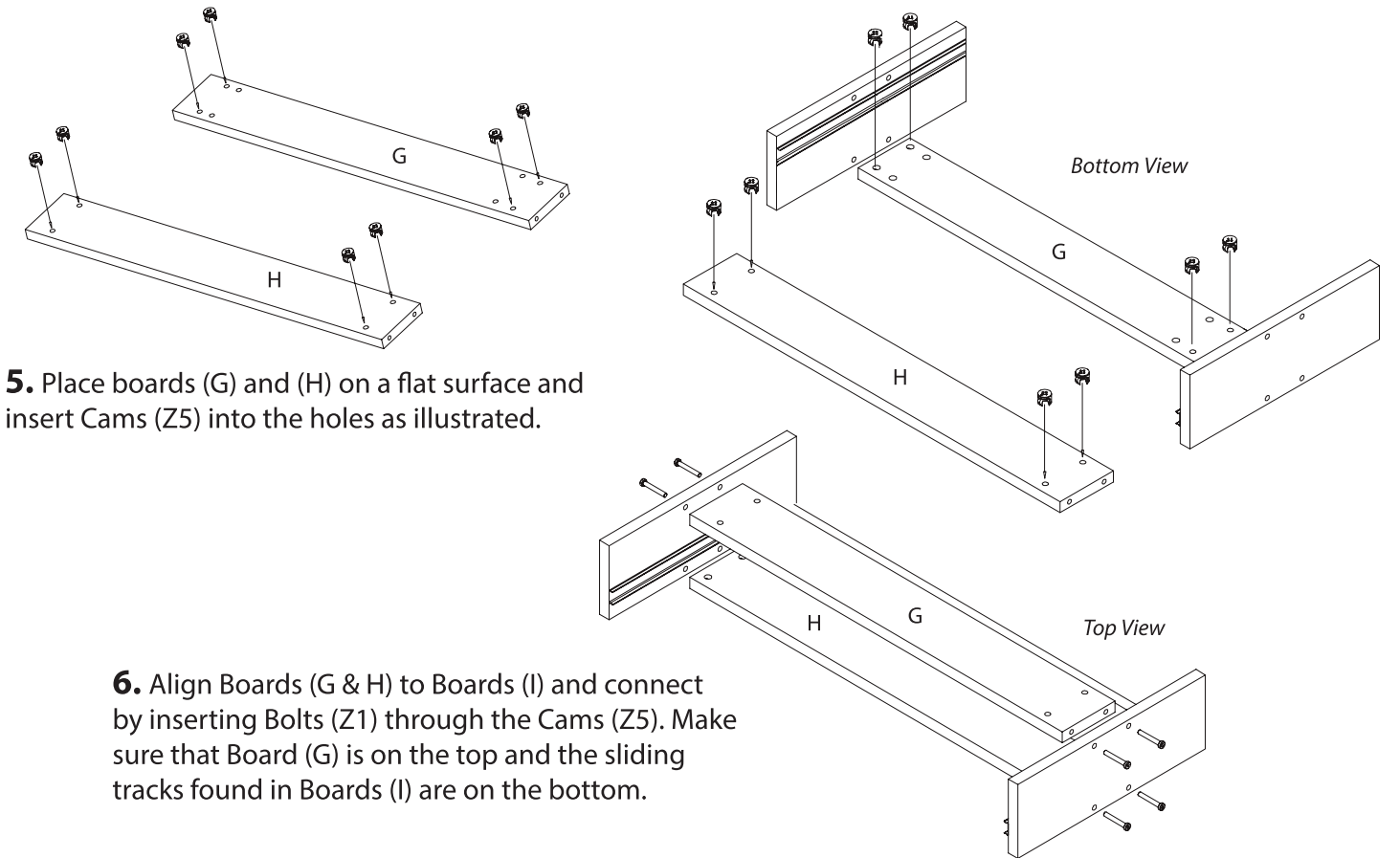
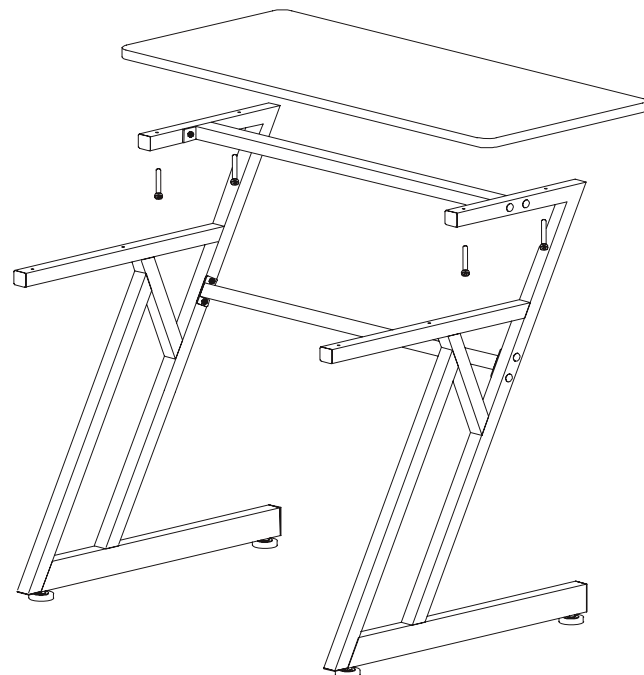


2. Install the second Cross Bar (C) in the two holes located in the vertical tube of the Z-Legs (A). Use Bolts (Z1) and Nuts (Z2) to secure it like in Step 1.

3. Locate the four holes on the bottom of the Z-Legs (A) and insert the Feet (Z4) into the holes and tighten.

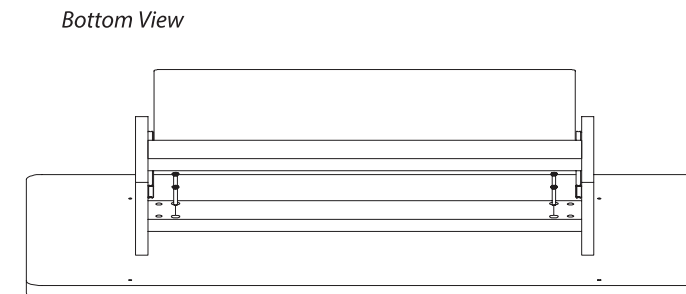
Note: Minor height adjustments can be made by turning the small rubber feet on the frame. Clockwise will lower the workstation, counterclockwise will raise it. Place a level on the main work surface, and make the necessary height adjustments before placing any equipment on the workstation.

4. Align the holes in the Upper Work Surface (E) with the holes on the top of the Z-Legs (A). Install with Bolts (Z1) and Allen Wrench.



5. Place boards (G) and (H) on a flat surface and insert Cams (Z5) into the holes as illustrated.

6. Align Boards (G & H) to Boards (I) and connect by inserting Bolts (Z1) through the Cams (Z5). Make sure that Board (G) is on the top and the sliding tracks found in Boards (I) are on the bottom.



7. Once Boards (G, H, & I) are assembled, insert the Keyboard Tray (F) into this structure.

8. Place the Main Work Station (D) upside down on the ground and align the holes with the structure from Step 7. Attach by inserting Bolts (Z3) with the Allen Wrench as illustrated on the left.

9. Place the Main Work Station (D) with the attached keyboard tray assembly on the arms of the Z-Legs (A). Fasten with Bolts (Z1) and Allen Wrench.

10. Before using the Workstation, be sure all bolts and nuts are tightened.

